



JPCOE Chronicle

"Reach for the Stars"

Monthly Newsletter
AUGUST'18
Volume VII, Issue I.



 **Happy** 
Independence
Day

BY PRINCE PAL
JP COLLEGE OF ENGINEERING

Patron

Rev.Fr.Dr. J. E. ARUL RAJ, Founding Father & Chairman

Patroness

Rev. Sr. S.GNANA SELVAM, Managing Trustee

Co-Patroness

Rev. Sr. I. Arockia Mary, Correspondent

Chief Advisor

Dr. R. Palaniyandi, Director (QM)

Advisor

Rev. Sr. P. PRADEEBA Administrator JP College of Engineering

Co-Advisor

Dr. M. RAJ KUMAR Principal JP College of Engineering

EXECUTIVE EDITORS

Prof. M. PALANI, HOD (CIVIL)

Prof. N. SENTHIL MURUGAN, HOD (CSE)

Prof. T. MANOJ KUMAR, HOD (EEE)

Prof. M. SHENBAGAVALI, HOD (ECE)

Prof. SIDHARDHAN, HOD (MECH)

Prof. SIVADHASAN, HOD(S&H)

Editorial Team Members

Mr.RAMAR KALANJIAM, AP/ CIVIL

Mrs. N.PAPPU SIVANANTHAM, AP/CSE

Mrs. T.VIJI, AP/ECE

Ms. SORNA SARASWATHY, AP/EEE

Mr. D. S. SAMUVEL PREMKUMAR, AP/MECH

Mrs.RATNA, AP/S&H



HOLY FATHER'S MESSAGE



Dear Brothers and Sisters,

“Carrying Jesus, the Madonna also brings us a new joy, full of meaning; she brings us a new ability to pass with faith through the most painful and difficult moments; she brings us the capacity for mercy, forgiveness, understanding and supporting one another,” the Pope said Aug. 15.

Mary, he said, “is the model of faith and virtue,” and in contemplating her Assumption into Heaven, we give her thanks “because she always precedes us on the pilgrimage of life and of faith.”

We are also able to ask that she “guard us and sustain us, that we may have a strong faith, joyful and merciful; that she help us to be holy, to meet her, one day, in paradise,”

+POPE FRANCIS

GIRLS GRIEVANCE PROGRAM

- Girls Grievance cell inauguration program was conducted for first year by Mrs.Kavitha, AP/CSE, and Academic Secretary on 02.08.18.



- Principal Dr.M.Rajkumar met all the First year Girl students on 09/08/2018 (3.30-4.15 PM) and he interacted with the students regarding Girls grievance Cell.



HOD MEETING

HOD Meeting was conducted at Chairman Office On 03.08.18 .In that meeting College development activities were discussed.



GATE AWARENESS PROGRAM

- Gate exam awareness program was conducted for Topper Students of JPCOE at Auditorium on 14.08.18.
- This program was handled by Mr.Kantha Koodeeswaran, Assistant Professor, Mepeco Schlenk Engineering College, Sivakasi.



CAMPUS DRIVE

Campus drive was conducted on 18th August 2018 in our college premises for CIVIL Department students “VELCITI Consulting Pvt.Ltd, Chennai” in which the following students were selected.



- Mr.Ragukumar.V (CIVIL)
- Mr.Jebaraj.L(CIVIL)
- Mr.Muthu Udaiyar.M(CIVIL)
- Mr.Manuel YovanSnanagan.D((CIVIL)

GRADUATION DAY

- The 6th graduation day celebration for the degree completed students of academic year 2013-2017 was celebrated in JP College of Engineering auditorium on 27-09-2018.



- Rev.Sr.C.Rita, Superior General, DMI, Rev.Sr.Gnana Selvam, Managing Trustee, DMI, Rev.Sr.Xavier Selvi, South Provincial, DMI, Rev.Sr.Pradeeba, Administrator, J.P.College of Engineering, Dr.M.Rajkumar, Principal, J.P.College of Engineering were participated.



- Our honorary chief guest Mr. J. Peter Alphonse, Bsc, BL, Ex MP, delivered his presidential address to the students and distributed the certificates to the graduates.

NPTEL COURSE REGISTERED DETAIL

The following staff members were registered their NPTEL Online courses.

S.No.	Staff Name	Designation /Dept.	Course Name	Course Duration	Date of Registration
1	Mrs.C.Chermakkani	AP/CSE	Database Management System	8 weeks	11-08-2018
2	Mrs.N.Pappu Sivanantham	AP/CSE	Introduction to Programming in C	8 weeks	11-08-2018
3	Mrs.Kavitha	AP/CSE	Programming Data Structures and Algorithms in PYTHON	8 weeks	03.08.18

S.No.	Staff Name	Designation /Dept.	Course Name	Course Duration	Date of Registration
4	Mrs.T.Viji	AP/ECE	Microwave Integrated Circuits	12 Weeks	25.08.18
5	Mr.G.Vinoth Rajkumar	AP/ECE	Microwave Integrated Circuits	12 Weeks	26.08.18
6	Mr.M.Paramaiyappan	AP/ECE	Hardware Modeling Using Verilog	12 Weeks	18.08.18
7	Mrs.P.Steela Rose Malar	AP/ECE	Recent Advance	4 Weeks	25.08.18
8	Mr.Sheik sidhik	AP/EEE	Recent Advances in Transmission Insulator	4 weeks	18.08.2018
9	Ms.Aswathy	AP/EEE	Advance Linear Continuous Control System	4 weeks	17.08.2018
10	Mr.Vigneshbarathi	AP/EEE	Digital Circuits	8 weeks	24.07.2018
11	Mr.Samuel Prem Kumar	AP/MECH	Energy Engineering	6 Weeks	27.07.18
12	Mr.John Pradap Singh	AP/MECH	Advanced Composites	12 weeks	10.07.18

The following Students were registered NPTEL Online courses.

S.No.	Student Name	Year /Dept.	Course Name	Course Duration	Date of Registration
1	Gomathy Sankar	IV MECH 'A'	Advanced Composites	12 weeks	10.07.18
2	Ganesh Prabhu	IV MECH 'A'	Advanced Composites	12 weeks	10.07.18

NSS CAMP

- With the help of our Management J.P.College of Engineering organized NSS Camp for Plastic Awareness Program by NSS Team members on 31.08.18.



- The Rally was starts from college Campus to Tenkasi Kasivishvanathar Temple. Totally 20 members were participated in this camp.



DEPARTMENT OF CIVIL

SOFTWARE AWARENESS PROGRAM

- Explanation about the Civil Software by Mr. Abdhul Rahuman and Mr.Mohamed Anas [iCADD] for Final year students on 02-08-2018.



EXTRA CURRICULAR ACTIVITY

- Our civil department students are attended “2018 Build Expo” conducted by TCEAT at Tenkasi on 04-08-2018.



TECHNICAL EVENTS

- The students of our civil department R.Sakthivel and L.Mari selvi (IIIrd year Civil students) participated at topic of “SMART TRANSPARENT CONCRETE” in the national level technical symposium held at St. Mother Theresa Engineering College, and had secured first place in the paper presentation on 25.08.2018.
- Chinnathambi Ganesan.M (IVth year Civil student) won the First Place in Cad Modelling in the national level technical symposium held at St. Mother Theresa Engineering College, on 25.08.2018.
- Manikandan .P (IVth year Civil student) won the Second Place in Divided in the national level technical symposium held at St. Mother Theresa Engineering College, on 25.08.2018.



- R. Arockia Anusuya and M. Sugacini (IInd year Civil student) participated at topic of “ECO CONSTRUCTION MATERIALS” in the national level technical symposium held at St. Mother Theresa Engineering College, on 25.08.2018.

DEPARTMENT OF CSE

SEMINAR

- Python Programming Seminar was conducted for CSE Department students on 13.08.18. This program was organized by Mr. Sathish Ramar, Software Trainer, KALVI Institute, Madurai.



WORKSHOP

- Two days workshop was organized by CSE department on 16.08.18 and 23.08.18. This program was led by Mr. Saravana and Ms. Lakshmi, INETZ Tehno Solutions Pvt Ltd, Tirunelveli.



SEMINAR

- Ethical Hacking Seminar was conducted for CSE Department students on 30.08.18. This program was organized by Mr. Aravindhyan, Liveware, Chennai.



DEPARTMENT OF ECE

SATURDAY ACTIVITY

- Activities were conducted for our department students on every Saturday.
- In the afternoon session, II, III and IV year students were allowed to play various games in the play ground on 11/08/2018.



ALUMNI STUDENT MOTIVATIONAL SPEECH

- Motivation program was conducted by 2011-15 Batch ECE students Mr. Mohamed Rafeek.M and Mr. Sudhin Madhu for IV Year students on 28.8.18.
- They are working in core company iPhone and Net solutions Bangalore.



EMBEDDED WORKSHOP

Embedded Workshop was conducted by Mr.KANNAN Design Engineer R&D Turn Volt Technologies,Trichy.and Mr.Dhanabalan.T Technical Director,Industech Automations,Madurai for III Year students on 28-08-18 to 01-09-18.



The students were attended the Embedded Workshop

CO-CURRICULAR ACTIVITIES

- In ECE department, eight final year students attended a workshop on industrial version 4.0 in **“TECHYUGA 18”** at Ramco Institute of Technology, Rajapalayam on 31-08-2018.
- Two final year students attended a paper presentation in National Level Technical Symposium **“ignis-18”** at PSN engineering college, Melathediyoor on 31-08-2018.

BLUETOOTH CONTROLLED CAR



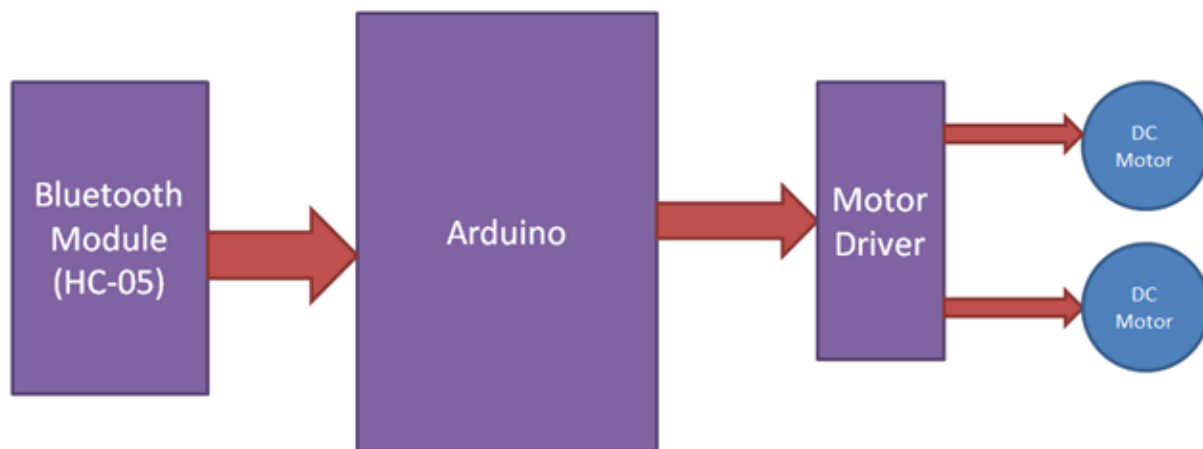
Bluetooth controlled car is controlled by using Android mobile phone instead of any other method like buttons, gesture etc. Here only needs to touch button in android phone to control the car in forward, backwardd, left and right directions. So here android phone is used as transmitting device and Bluetooth module placed in car is used as receiver. Android phone will transmit command using its in-built Bluetooth to car so that it can move in the required direction like moving forward, reverse, turning left, turning right and stop.

Bluetooth Module

HC Bluetooth module consists two things one is Bluetooth serial interface module and a Bluetooth adaptor. Bluetooth serial module is used for converting serial port to Bluetooth.

Working principle

In this project we have used a toy car for demonstration. Here we have selected a RF toy car with moving left right steering feature. After buying this car we have replaced its RF circuit with our **Arduino circuit**. This car have two dc motors at its front and rear side. Front side motor is used for giving direction to car means turning left or right side (like real car steering feature). And rear side motor is used for driving the car in forward and backward direction. A Bluetooth module is used to receive command from android phone and Arduino UNO is used for controlling the whole system.



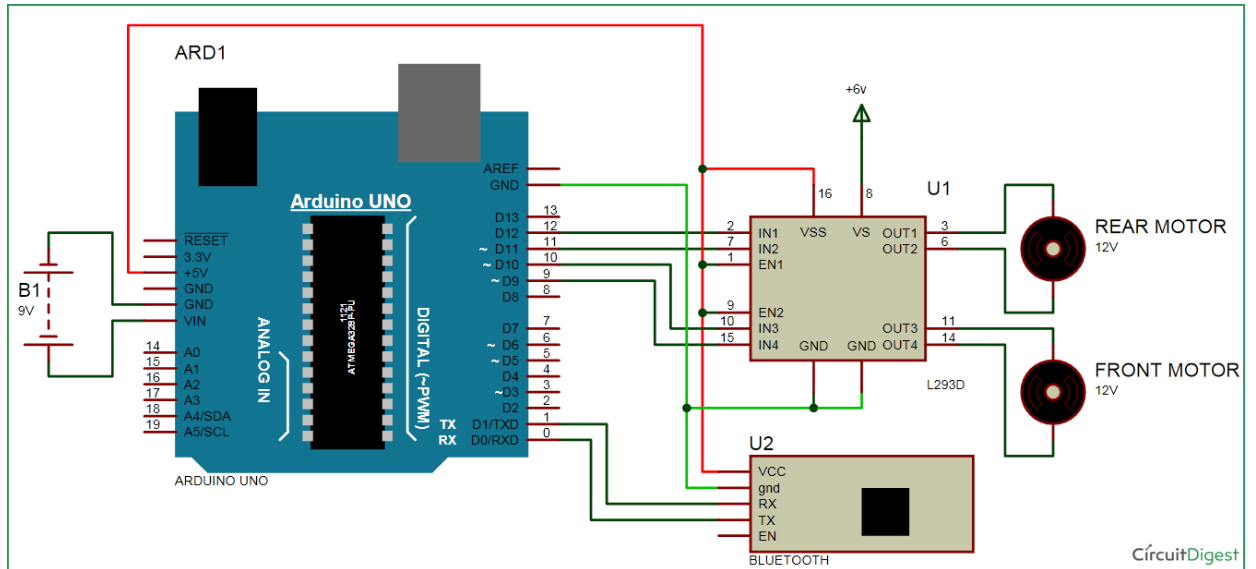
Bluetooth controlled car moves according to button touched in the android Bluetooth mobile app. To run this project first we need to download Bluetooth app form Google play store. We can use any Bluetooth app that supporting or can send data. Here are some apps' name that might work correctly.

- Bluetooth Spp pro
- Bluetooth controller

After installing app you need to open it and then search Bluetooth device and select desired Bluetooth device. And then configure keys. Here in this project we have used Bluetooth controller app.

1. Download and install Bluetooth Controller.
2. Turned ON mobile Bluetooth.
3. Now open Bluetooth controller app
4. Press scan
5. Select desired Bluetooth device
6. Now set keys by pressing set buttons on screen. To set keys we need to press 'set button' and set key according to picture given below:
7. After setting keys press ok.
8. When we touch forward button in Bluetooth controller app then car start moving in forward direction and moving continues forward until next command comes.
9. When we touch backward button in Bluetooth controller app then car start moving in reverse direction and moving continues reverse until next command comes.
10. When we touch left button in Bluetooth controller app then car start moving in left direction and moving continues left until next command comes. In this condition front side motor turns front side wheels in left direction and rear motor runs in forward direction.
11. When we touch right button in Bluetooth controller app then car start moving in right direction and moving continues right until next command comes. In this condition front side motor turns front side wheels in right direction and rear motor runs in forward direction.
12. And by touching stop button we can stop the car

Circuit diagram



Circuit diagram for bluetooth controlled car is shown in above figure. A Motor driver is connected to arduino to run the car. Motor driver's input pins 2, 7, 10 and 15 are connected to arduino's digital pin number 12, 11, 10 and 9 respectively. A 6 volt Battery is also used to power the motor driver for driving motors. Bluetooth module's rx and tx pins are directly connected at tx and rx of Arduino. And vcc and ground pin of Bluetooth module is connected at +5 volt and gnd of Arduino. And a 9 volt battery is used for power the circuit at Arduino's Vin pin

P.RASATHI, III ECE

DEPARTMENT OF MECH

WORKSHOP

- Our final year students P. Esakki Raj, B Nandha Kumar and S. S.Vignesh went for the workshop at PSG College of technology, Coimbatore on 29th July 2018 about Geometric Dimension [GD] and Tolerance.



- Mr. K. Parthipan [Asst. Professor/ Mechanical at PSG College of Technology] gave the training and issued the certificates.



- Final Year Students Rohinth Antony Kruse G [Standing from left] , Alfin Wilfred, Ganeshprabhu P, Ariram A, Arjun, Robin Raj S, Virgin J R, S.Muthusamy, Kantha Kumar S attended the three days workshop about newly launched structural analysis software FEAST SMT in Mepco schelank College of Engineering, Sivakasi on 31st August 2018 to 02nd September 2018.



- Dr, T.Sundrarajan [Course faculty, Ground Head, ISRO, Tiruvandram] Mr.M.Thilak [Software developer ISRO], took the lead to complete the workshop effectively.

AWARENESS PROGRAMME

- NDT [Non-Destructive Testing] awareness program was conducted and Demo was given by Mr.P.Abdul Rahman (8148510724) and Mr.M.Muthu Kumar (9750761027) [Mechanical Faculties Evershine ICADD, Tenkasi] on 4th August 2018.



- Auto CAD, CATIA, and Creo Software awareness programme was conducted on 30th August 2018 by CADD Computer Center Tenkasi.
- Mr.P.Sutharsun [8925778905] Faculty from CADD Centre, Tenkasi gave the lecturer about benefits and scope of designing software's.



ALUMNI MEET

- “Alumni Meet” was conducted on 27th August 2018.



STAFF MEETING

- Department Staff meeting for the month of August has been held at 02-09- 2018, 16-08-2018 and 23-08-2018.





